

“TRUST,
DURABILITY
INNOVATION”



MINI LOADER

Product Catalog

INDEX

1-6 Buckets

7-9 Landscaping Attachments

10-11 Sweepers

12-14 Construction and Digging Attachments

15 Road, Sidewalk and Asphalt Attachments

16 Pallet Forks

17 Farming and Livestock Attachments

18-19 Snow Removal Attachments

BUCKETS

General Purpose Buckets

ORDEM MAKINA; General purpose buckets are simplest buckets for loading, dumping and laying the soft materials like sand, gravel, shavings, fertilizer etc. Our general purpose buckets are manufactured with straight edge or bolt-on replacable teeth. Cutting edge of buckets are made from high wear resistant special alloy steel. Our general purpose buckets are designed and manufactured to accompany your machines as long as possible without wear off thanks to its low weight and reinforced construction.

Buckets are manufactured according to your machine's adapter type and dimensions.



MODEL	Edge	Width (mm)	Volume (l)	Weight (kg)	Number of Teeth	Part Number	Unit Price
90	STRAIGHT	900	205	85	-	GLA0111-S	
90	TEETH	900	205	88	4	GLA0111-T	
120	STRAIGHT	1200	280	100	-	GLA0112-S	
120	TEETH	1200	280	105	5	GLA0112-T	
135	STRAIGHT	1350	320	110	-	GLA0113-S	
135	TEETH	1350	320	115	6	GLA0113-T	

• Attachment weight and dimensions can be vary according to adapter type and dimensions.

BUCKETS

4 IN 1 Bucket



ORDEM MAKINA; 4 in 1 buckets are designed as multi function buckets. In general 4 in 1 buckets are used as;

- Loading- dumping (general purpose bucket)
- Leveller
- Grapple
- Dozer Blade

4 in 1 buckets are manufactured with straight cutting edge or bolt-on replaceable teeth. Straight edge plates are also replaceable and reusable thanks to symmetric edge. Teeth and blades are manufactured high wear resistant special alloy steel. Buckets are manufactured according to your machine's adapter type and dimensions.

Buckets are manufactured according to your machine's adapter type and dimensions.



MODEL	Edge	Width (mm)	Depth (mm)	Height (mm)	Opening Angle	Volume (l)	Weight (kg)	Number of Teeth	Part Number	Unit Price
110	STRAIGHT	1100	845	675	95°	265	215	-	GLA0121-S	
110	TEETH	1100	940	675	95°	265	221	5	GLA0121-T	
130	STRAIGHT	1300	845	675	95°	325	235	-	GLA0122-S	
130	TEETH	1300	940	675	95°	325	243	6	GLA0122-T	
150	STRAIGHT	1480	845	675	95°	365	260	-	GLA0123-S	
150	TEETH	1480	940	675	95°	365	270	7	GLA0123-T	

• Attachment weight and dimensions can vary according to adapter type and dimensions.

BUCKETS

High Tip Buckets

ORDEM MAKINA; High tip buckets are designed to loading and unloading the soft materials like sand, gravel, shavings, fertilizer, forage, seed, snow etc. to high points. Our high tip buckets are manufactured as straight edge. Cutting edge of buckets are made from high wear resistant special alloy steel.

Buckets are manufactured according to your machine's adapter type and dimensions.



MODEL	Width (mm)	Volume (l)	Weight (kg)	Part Number	Unit Price
100	1000	240	180	GLA0131	
120	1200	300	200	GLA0132	

• Attachment weight and dimensions can be vary according to adapter type and dimensions.

BUCKETS

Concrete Mixing Buckets



ORDEM MAKINA; concrete mixing buckets are designed for concrete mixing and pouring the concrete to hard to reach places. It is possible to load concrete compounds (sand, gravel etc.) in mixing chamber as using the mixing bucket as a normal bucket. Thanks to upper grill panel it is possible to adding cement or other additives easily. Mixer shaft is driven by a hydraulic motor which connected to shaft end with chain-sprocket system. Also there is a hatch opening below the bucket which controlled by a hydraulic cylinder for unloading the mixed concrete to requested place. It is possible to connecting an elastic tube to this opening for pouring the concrete to place where bucket can't approach.

Buckets are manufactured according to your machine's adapter type and dimensions.



MODEL	Screw Shaft Diameter (mm)	Unloading Hatch Diameter (mm)	Width (mm)	Volume (l)	Weight (kg)	Part Number	Unit Price
225	400	180	1600	225	310	GLA0141	

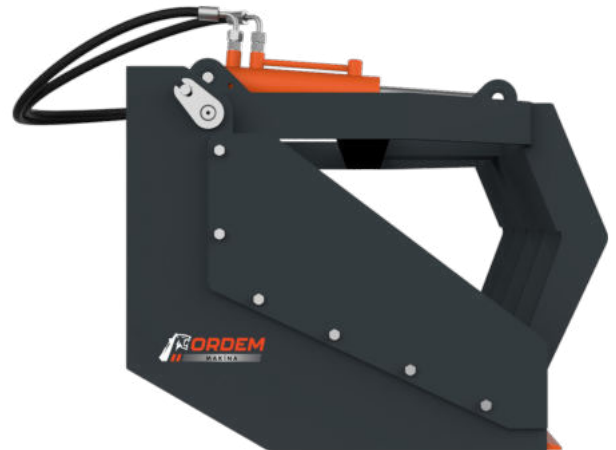
• Attachment weight and dimensions can be vary according to adapter type and dimensions.

BUCKETS

Light Duty Grapple Buckets

ORDEM MAKINA; grapple buckets are designed to transferring, loading and dumping of materials that being messy or hard to carry as a mass. Grapple buckets are manufactured according to their construction types which are 1 or 2 hydraulic cylinder driven are named as light or heavy type. The light type grapple buckets are used for transferring branches, logs, leaves, long height grass etc. On the other hand the heavy type grapples are used for carrying demolition waste. Both types are equipped with cutting edge plate which manufactured high wear resistant alloy steel.

Buckets are manufactured according to your machine's adapter type and dimensions.



MODEL	Width (mm)	Height (mm)	Weight (mm)	Part Number	Unit Price
90	900	560	100	GLA0151	

• Attachment weight and dimensions can be vary according to adapter type and dimensions.

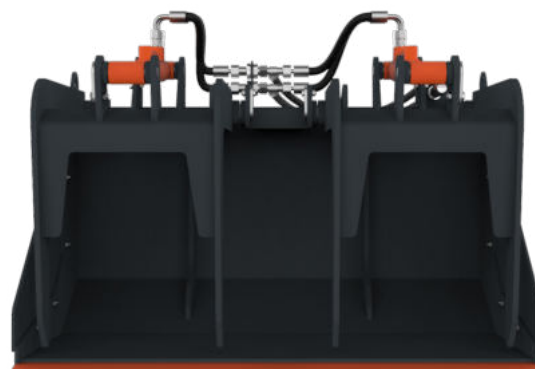


BUCKETS

Heavy Duty Grapple Buckets

ORDEM MAKİNA; grapple buckets are designed to transferring, loading and dumping of materials that being messy or hard to carry as a mass. Grapple buckets are manufactured according to their construction types which are 1 or 2 hydraulic cylinder driven are named as light or heavy type. The light type grapple buckets are used for transferring branches, logs, leafs, long height grass etc. On the other hand the heavy type grapples are used for carrying demolotion waste. Both types are equipped with cutting edge plate which manufactured high wear resistant alloy steel.

Buckets are manufactured according to your machine's adapter type and dimensions.



MODEL	Width (mm)	Weight (kg)	Part Number	Unit Price
90	900	130	GLA0161	

• Attachment weight and dimensions can be vary according to adapter type and dimensions.

LANDSCAPING ATTACHMENTS

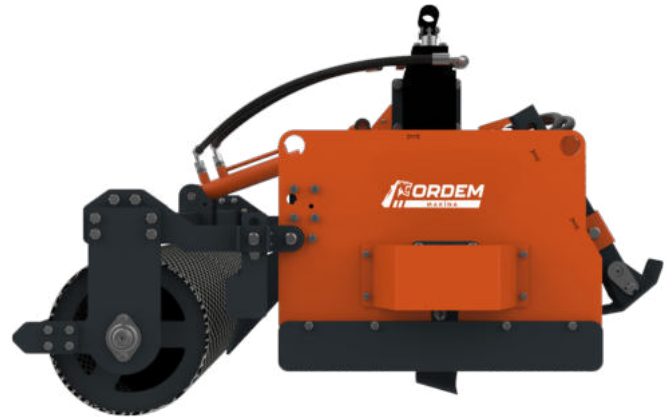
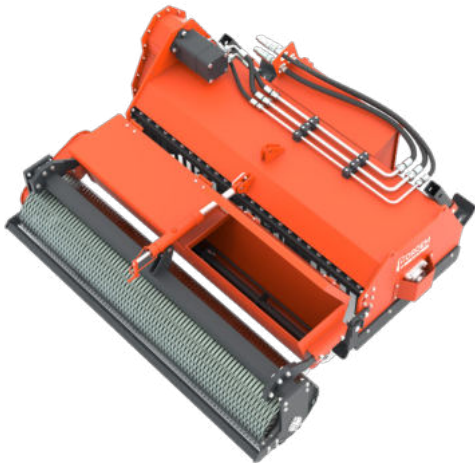
Rotary Tiller and Seeding Attachment

ORDEM MAKINA rotary tiller attachments are designed to preparing soil and seeding operations (with optional additions) fastly and efficiently. Attachment is consists 3 parts as follow:

- Rotary tiller
- Burrier cylinder(Optional)
- Seeding unit (Optional)

Hoing depth is adjustable between 0-150 mm. Tiller blades are made from boron alloyed steel to provide longer life and toughness. Seeding unit has adjustable opening to control seeding rate according to the seed dimensions.

Rotary tiller attachments are manufactured according to your machine's adapter type and dimensions.



MODEL	Working Depth (mm)	Working Width (mm)	Roller Width (mm)	Width (mm)	Number of Blades	Seeder Volume (l)	Weight (kg)	Part Number	Unit Price
101	0-150	1020	-	1265	20	-	230	GLA0211-1	
102	0-150	1020	1075	1265	20	-	275	GLA0211-2	
103	0-150	1020	1075	1280	20	50	310	GLA0212-3	
201	0-150	1210	-	1460	24	-	260	GLA0212-1	
202	0-150	1210	1270	1460	24	-	310	GLA0212-2	
203	0-150	1210	1270	1475	24	60	355	GLA0212-3	
301	0-150	1400	-	1655	28	-	285	GLA0213-1	
302	0-150	1400	1465	1670	28	-	355	GLA0213-2	
303	0-150	1400	1465	1670	28	75	405	GLA0213-3	

• Attachment weight and dimensions can be vary according to adapter type and dimensions.

LANDSCAPING ATTACHMENTS

Grabbing Tool

ORDEM MAKINA; grabble tool is designed to carry big rounded pots, barrels and other rounded objects. Grabble pads are equipped with springs which provide equal pressure and better grasping.

Grabbing tool are manufactured according to your machine's adapter type and dimensions.



MODEL	Width (mm)	Pot Diameter (mm)	Weight (kg)	Part Number	Unit Price
100	1000	150-1000	115	GLA0221-0	
120	1000	250-1200	125	GLA0222-0	

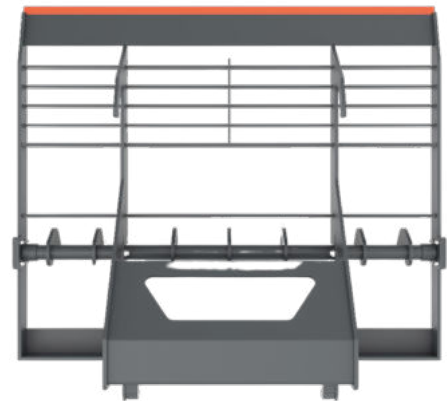
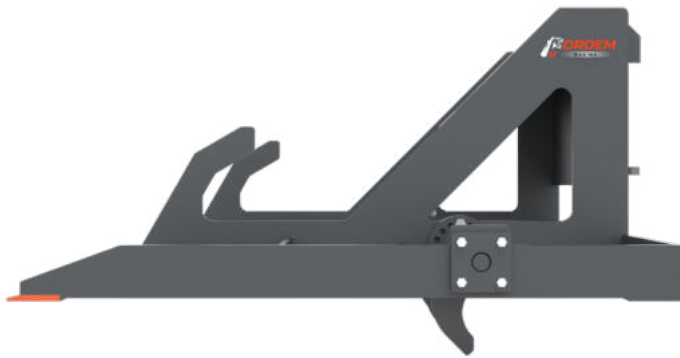
• Attachment weight and dimensions can be vary according to adapter type and dimensions.

LANDSCAPING ATTACHMENTS

Leveller Attachment

ORDEM MAKİNA; leveller attachment is designed for levelling uneven surfaces and laying sand, soil or gravel on the surface. There are depth adjustable ripper blades on the attachment for ripping to hard surfaces. Also there is brackets on the leveller for carrying buckets or other tools with attachment. Tip of the leveller is reinforced by high wear resistant steel.

Leveller attachments are manufactured according to your machine's adapter type and dimensions.



MODEL	Width (mm)	Length (mm)	Max Working Depth (mm)	Number of Rippers	Weight (kg)	Part Number	Unit Price
120	1200	1030	100	7	120	GLA0241	
150	1480	1030	100	7	140	GLA0242	

• Attachment weight and dimensions can be vary according to adapter type and dimensions.

SWEEPERS

Bucket Sweeper



ORDEM MAKİNA; bucket sweeper attachment has been developed for professional road and floor sweeping works. Thanks to its strong bearings and solid construction, you can carry out your sweeping operations efficiently and safely. Thanks to the height-adjustable front body structure, the necessary height adjustment can be easily made in case of brush wear. You can carry out brush changes and periodic checks safely thanks to the opening maintenance covers. When used with the optional water tank, pump and nozzle set, a dust-free sweeping operation can be achieved. Additionally, a side brush option can be added to sweeping sidewalk corners or wall bottoms.

Our sweeper attachments are manufactured according to your machine's adapter and dimensions.



MODEL	Broom Diameter (mm)	Sweeping Width (mm)	Width (mm)	Bucket Volume (l)	Water Tank Volume (l)	Weight (kg)	Part Number	Unit Price
101	540	1180	1640	85	-	385	GLA311-1	
102	540	1180	1640	85	-	420	GLA311-2	
103	540	1180	1640	85	100	445	GLA311-3	

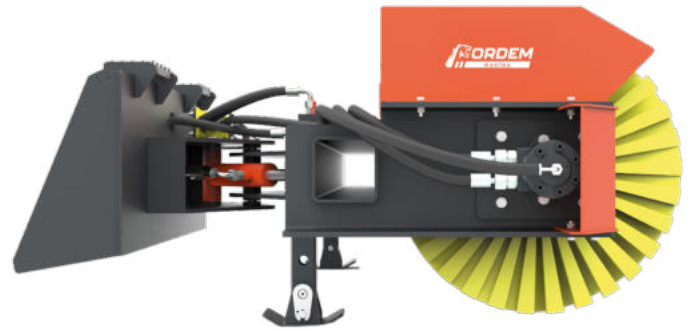
• Attachment weight and dimensions can be vary according to adapter type and dimensions.

SWEEPERS

Open Type Sweeper Attachment

ORDEM MAKİNA; open type sweeper attachment is designed to professional road and floor cleaning works. With open type sweeper attachment, road or sidewalk cleaning works can be performed productively. Due to its right-left rotatable sweeper structure; soil, gravel, snow etc. can be collected toward the specific direction. Right-Left turning structure is manufactured as hydraulic or mechanic.

Our sweeper attachments are manufactured according to your machine's adapter and dimensions.



MODEL	Broom Diameter (mm)	Turning Angle	Sweeping Width (mm)	Width (mm)	Water Tank Volume(l)	Weight (kg)	Part Number	Unit Price
101	540	± 30	1760	2230	-	300	GLA0321-1	
102	540	± 30	1760	2230	100	320	GLA0321-2	

• Attachment weight and dimensions can vary according to adapter type and dimensions.



CONSTRUCTION AND DIGGING ATTACHMENTS

Backhoe Attachment

ORDEM MAKINA; backhoe attachment is designed to bring excavation ability to your compact machines. Levelling of the attachment is made by hydraulic driven outriggers. Thanks to side shift feature then it is possible to approach hard to reach sides because of machine or attachment size. Also there is mini dozer blade at below of the attachment to provide filling ability to channels. Bucket adapter is designed according to S30/180 standart. It is possible to use different size buckets with this adapter dimensions.

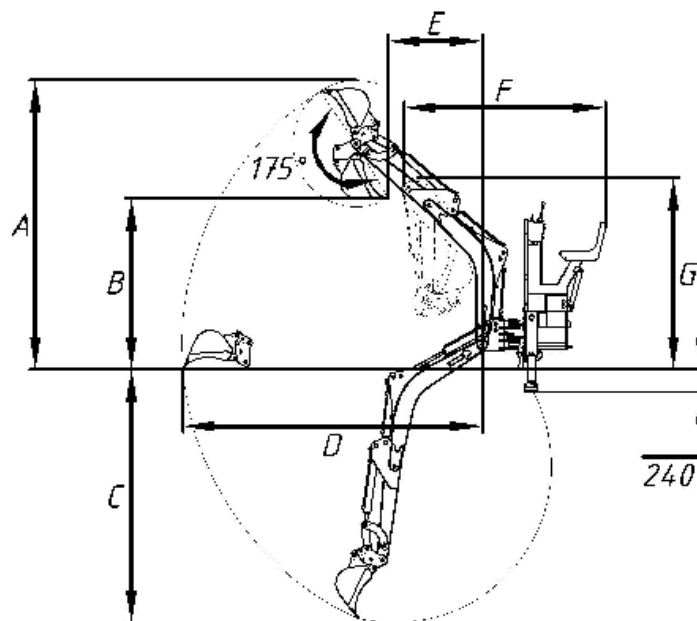
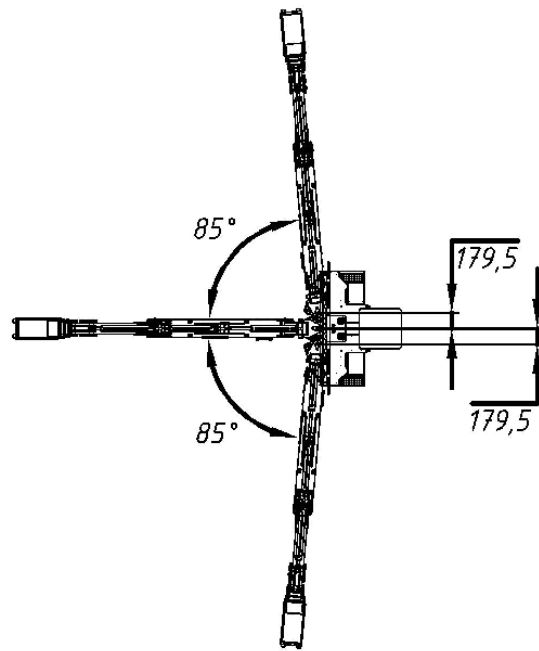
Our backhoe attachment is manufactured according to your machine's adapter and dimensions.



MODEL	Standard Bucket Width (mm)	Weight (kg)	Part Number	Unit Price
260	300	735	GLA0411-2	

OPTIONS	Width (mm)	Volume (l)	Number of Teeth	Weight (kg)	Part Number	Unit Price
BUCKET 250 mm	300	30	3	55	GLA04118	
BUCKET 400 mm	400	45	3	60	GLA04119	
BUCKET 700 mm	700	85	4	85	GLA041110	

• Attachment weight and dimensions can be vary according to adapter type and dimensions.



	Explanation	Dimensions
A	Overall Operating Height	3040 mm
B	Maximum Dumping Height	1795 mm
C	Maximum Digging Depth	2650 mm
D	Maximum Reach	3155 mm
E	Loading Reach	995 mm
F	Overall Length	2124 mm
G	Transporting Height (Boom fully retracted)	2011mm
	Maximum Bucket Rotation Angle	205°
	Swing Angle	170°
	Bucket Digging Force	23 kN
	Arm Digging Force	9.6 kN

• Attachment weight and dimensions can be vary according to adapter type and dimensions.



CONSTRUCTION and DIGGING ATTACHMENTS

Mini Digger

ORDEM MAKİNA; mini digger attachment is developed to doing basic digging works with mini loaders. Dumping is easy due to it's right-left turning boom structure.

Our mini digger attachments are manufactured according to your machine's adapter and dimensions.



MODEL	Digging Depth (mm)	Turning Angle	Standard Bucket Width (mm)	Weight (kg)	Part Number	Unit Price
150	1500	±60°	300	210	GLA0442-2	

OPTIONS	Width (mm)	Volume (l)	Number of Teeth	Weight (kg)	Part Number	Unit Price
BUCKET 300 mm	300	30	3	55	GLA0442-6	
BUCKET 400 mm	400	45	3	60	GLA0442-7	
BUCKET 700 mm	700	85	4	85	GLA0442-8	

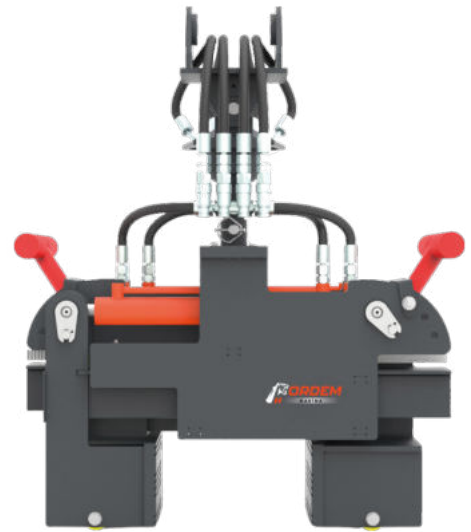
• Attachment weight and dimensions can be vary according to adapter type and dimensions.

ROAD, SIDEWALK, ASPHALT

Kerbstone Installation Clamp

ORDEM MAKİNA; kerbstone installation clamps are designed for picking up- carrying and mounting kerbstones to sidewalks, parks-gardens and road sides easily. Clamp unit of the attachment can grasp the stones between 50-1575 mm width. Thanks to hydraulic rotator unit the stones can rotate 360° continuously. Positioning the stones accurately is possible by handles.

Our kerbstone installation clamp attachment is manufactured according to your machine's adapter and dimensions.



MODEL	Clamp Width (mm)	Maximum Load Capacity (kg)	Weight (kg)	Part Number	Unit Price
150	50-1575	500	140	GLA0521	
100	275-1035	500	135	GLA0522	

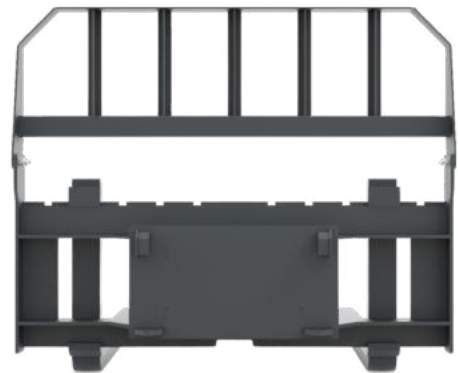
• Attachment weight and dimensions can vary according to adapter type and dimensions.

PALLET FORKS

Standard Pallet Forks

ORDEM MAKINA; standard pallet forks are designed to be the most economical solution to satisfy the needs for carrying pallet loads. Thanks to manually adjustable fork distances it is possible to lift different size pallets.

Our fork attachments are manufactured according to your machine's adapter and dimensions.



MODEL	Fork Length (mm)	Chassis Width (mm)	ISO Class	Height (mm)	Weight (kg)	Part Number	Unit Price
120	1200	1220	2A	1030	180	GLA0611-0	

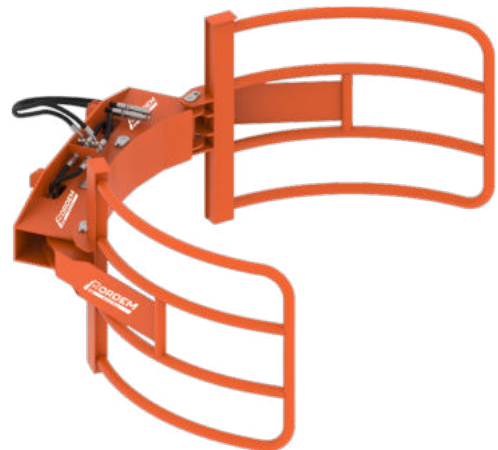
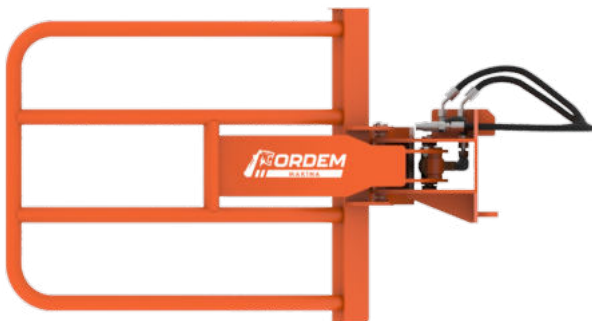
• Attachment weight and dimensions can vary according to adapter type and dimensions.

FARMING and LIVESTOCK ATTACHMENTS

Round Bale Handler Attachment

ORDEM MAKİNA; round bale handler attachment is designed for carrying and stocking the rounded bales quickly and practically.

Round bale handler attachments are manufactured according to your machine's adapter and dimensions.



MODEL	Clamp Diameter (mm)	Maximum Bale Weight (kg)	Weight (kg)	Part Number	Unit Price
160	950-1600	1000	145	GLA0711-0	

• Attachment weight and dimensions can vary according to adapter type and dimensions.

SNOW REMOVAL ATTACHMENTS

Snow Blades

ORDEM MAKINA; snow blades are designed for removing snow on the sidewalks or roads efficiently. Removed snow can be directed to left or right side thanks to rotateable blade construction. Blade chasis is supported by spring mechanism. Thanks to this feature, blade tips can jump over obstacles on the surface then blades and objects is not take damage. Blade width can be lengthen by adding side blades.

Snow blades are manufactured according to your machine's adapter and dimensions.



DESCRIPTION	MODEL	Blade Width (mm)	Scraping Width at Maximum Angle(mm)	Blade Height (mm)	Slewing Angle(o)	Tilt Angle (o)	Weight (kg)	Part Number	Unit Price
MECHANIC	200-M	2000	1730	645	±30°	±10°	185	GLA0811-0	
HYDRAULIC	200-H						195	GLA0821-0	

• Attachment weight and dimensions can be vary according to adapter type and dimensions.

ABOUT USE

ORDEM MAKİNA; is founded as a subcompany of "Ordem Elektronik Mühendislik Mak. San. ve Tic. Ltd. Şti." and started its activities with engineering services at 2019. In 2022, Our company has commissioned its own 3600 m² production facilities in the Başkent Organized Industrial Zone in Ankara/Turkey. We're continuously increasing our production capabilities day after day on investments to machine-workbench-equipment. Our company is developing mainly its own products and services. Also provides engineering and manufacturing services below areas;

- Construction Equipments; platform and attachment production,
- Vehicle mounted superstructure; mechanism designs and equipment manufacturing
- Defense Industry component manufacturing
- Hydraulic subsystem design and manufacturing
- Machinery production industry; engineering, manufacturing and integration.

Thanks to our multidisciplinary engineering organization, we are conducting project engineering activities by evaluating the requested projects in a combination with mechanical, hydraulic and electrical subsystems.

Besides the engineering services, we're providing end to end manufacturing support by organizing required processes and commissioning required manufacturing operations until obtaining final product as fully tested and approved.





Başkent O.S.B Başkent Bulvarı
No: 82 Malıköy - Sincan ANKARA



www.ordemmakina.com
info@ordemmakina.com



P: 0312 512 68 38
F: 0312 226 31 21